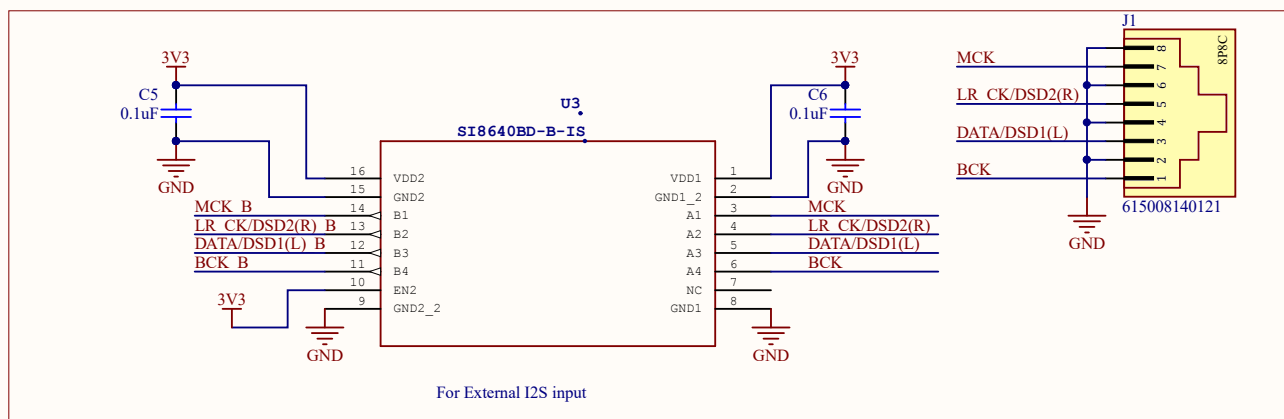


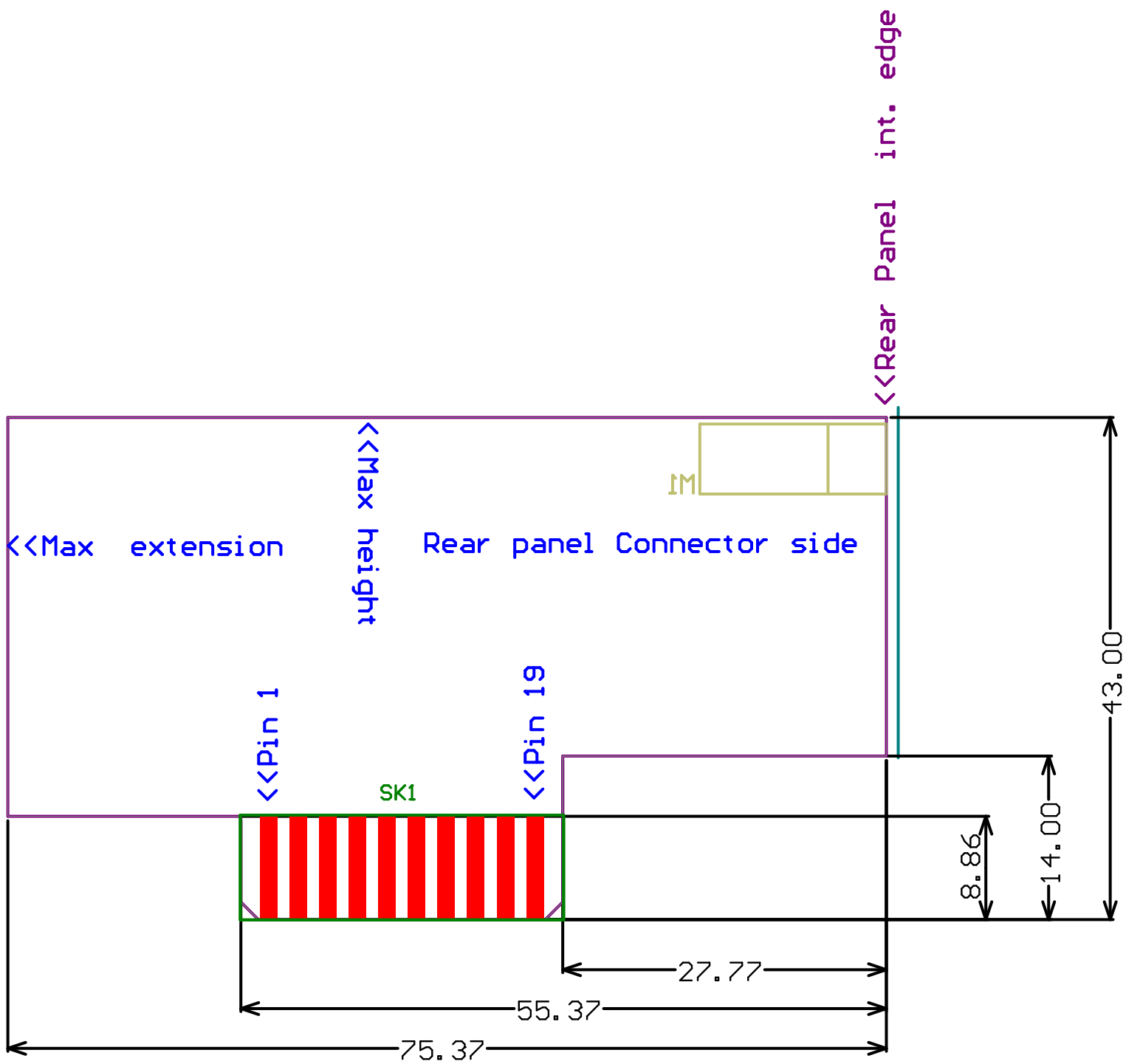
For TE 5-5530843-0 CARD EDGE CONNECTOR

PIN 1 and PIN 19 should never be connected



For External I2S input

Title		
Size A4	Number	Revision
Date: 13/10/2017	Sheet of	
File: C:\Users\...\Standard D20 Draft1.SchDoc	Drawn By:	



For TE 5-5530843-0

Comment	Description	Designator	Footprint	LibRef	Quantity
	Polarized Capacitor (Surface Mount)	C1	CAPC3225L	Cap Pol3	1
Cap	Capacitor	C2, C4, C5, C6	6-0805 -C	Cap	4
10uF	10uF Electrolytic Capacitor	C3	3216[1206]-C	10UF EL	1
LED1	Typical RED GaAs LED	D1	LED SM-0603	LED1	1
615008140121	WR-MJ Modular Jack Horizontal Shielded 8P8C Tab Down	J1	615008140121	615008140121	1
Header 4X2	Header, 4-Pin, Dual row	P1	HDR2X4	Header 4X2	1
1K	CHIP RESISTOR, 10K OHM, 63mW, 1%, 0402	R1	6-0805	STD-01-0080	1
18K	CHIP RESISTOR, 10K OHM, 63mW, 1%, 0402	R2, R3, R4	6-0805	STD-01-0080	3
Header 10X2 Card-Edge	Header, 10-Pin, Dual row	SK1	EDGE PCB20WAY 2.54 PITCH - SHORT	Header 10X2A_1	1
3V3 reg SMD (AP1117/AZ1117)	Voltage Regulator	U1	SOT223	Volt Reg	1
SN74HC573N	Octal D-Type Transparent Latch with 3-State Outputs	U2	PW020	SN74HC573N	1
SI8640BD-B-IS		U3	SOIC-16W	SI8640BD-B-IS	1